

Dear customer,

December 12, 2019.

Quality control section, Koriyama Hirose Electric Co., Ltd.

**Notification of embossed tape shape change**

We truly appreciate your significant support always.

We are currently planning on the captioned change for the below reasons.

Forwarding shares the notification of the change. Your kind understanding will be appreciated.

1	Target product	Please refer to the attached sheet. (See Attachment 1)
2	Substitute product	There is no change to the product code or product name.
3	Change category	Packing specifications change
4	Change contents	Change the pocket shape of the embossed tape. (See Attachment 2: before & after visual of the shape change.)
5	Reason for the change	When excessive load is applied such as when it is dropped during transportation, the connector contact in the pocket may hit the wall inside the pocket and be deformed.
6	Date to start switching	It will be switched sequentially from February 1st, 2020.
7	Approval date	Until January 31, 2020

It will be appreciated if you could possibly notify our sales representative regarding your approval by the above deadline.

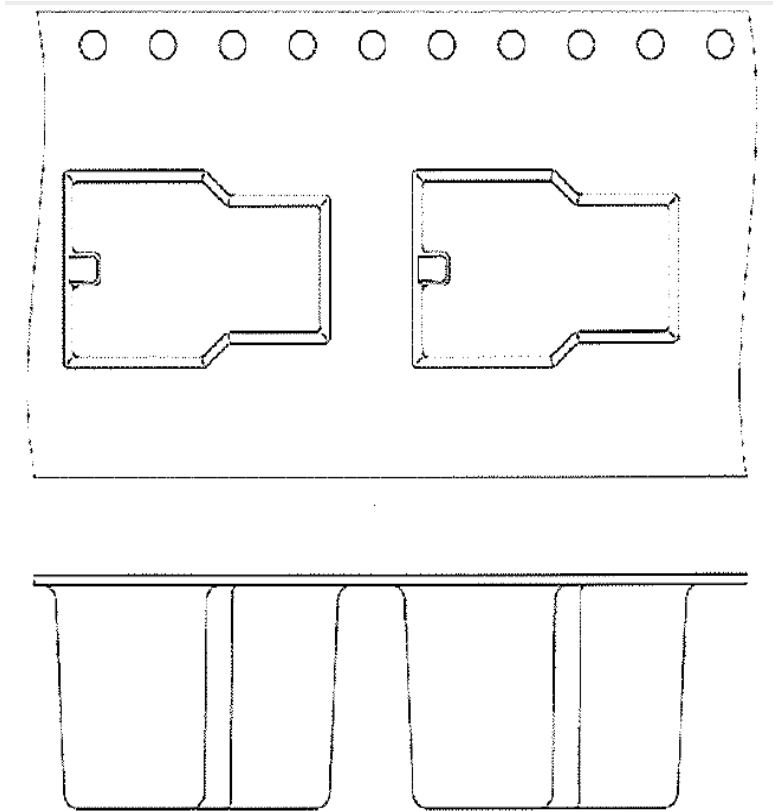
Just in case, if we did not receive your response by the deadline, the changed products indicated in the document will be delivered.

If you have any questions, please contact our sales representative.

**Target product list**

Product number by Hirose	Product name by Hirose
2 5 1 - 0 0 2 1 - 0	I X 6 1 G - A - 1 0 P
2 5 1 - 0 0 2 1 - 0 0 1	I X 6 1 G - A - 1 0 P ( 0 1 )
2 5 1 - 0 0 2 6 - 0	I X 6 1 G - B - 1 0 P
2 5 1 - 0 0 2 6 - 0 0 1	I X 6 1 G - B - 1 0 P ( 0 1 )
2 5 1 - 0 0 2 6 - 0 0 2	I X 6 1 G - B - 1 0 P ( 0 2 )

**Before the change**



**After the change**

